

# MEM Three-hole single-lever bath mixer for bath rim or tile edge installation - Chrome

MEM

27 412 782



- 220mm projection
- spout: rectangular normal flow
- max. flow 20.4 l/min at 3 bar flow pressure
- Hand shower: COMPACT RAIN, max. flow rate 6.8 l/min (at 3 bar)
- complete hand shower set with anti-scale system
- automatic bath/shower diverter
- height of mixer 300 mm
- height up to aerator 170 mm
- hole diameter spout 32 mm
- single-lever mixer hole diameter 35 mm
- hole diameter for complete hand shower set 32 mm
- rosette for mixer 60 x 60mm
- rosette for spout 60 x 60mm
- rosette for complete hand shower set 60 x 60mm
- metal shower hose 2250mm with integrated anti-twist protection

Intrinsic protection against back flow.

	Chrome	27 412 782-00
	Brushed Platinum	27 412 782-06
	Platinum	27 412 782-08
	Dark Chrome	27 412 782-19
	Brushed Durabronze (23kt Gold)	27 412 782-28
	Brushed Champagne (22kt Gold)	27 412 782-46
	Champagne (22kt Gold)	27 412 782-47
	Brushed Dark Platinum	27 412 782-99

## Recommended miscellaneous



**Perfecto installation kit -** 12 614 970 90

## Recommended miscellaneous

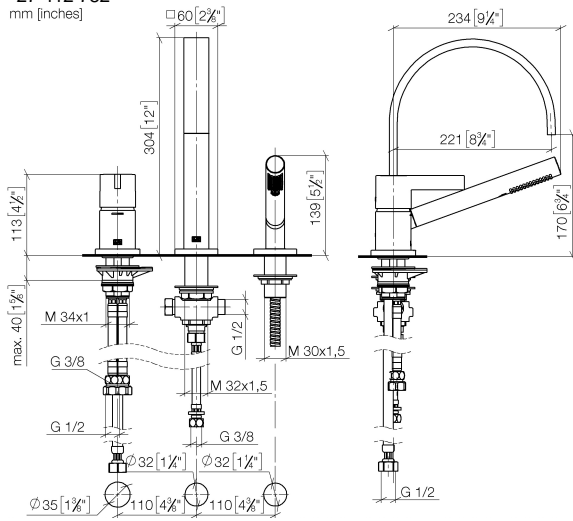


**Decorative caps for Perfecto - Chrome** 12 801 970-00  
 • 1 pair

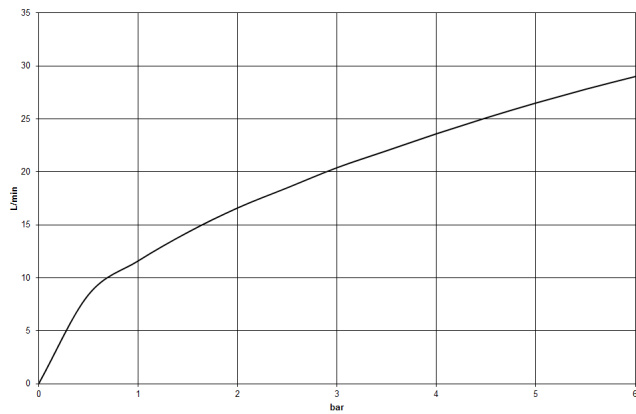
**MEM Three-hole single-lever bath mixer for bath rim or tile edge installation - Chrome**

MEM

27 412 782  
mm [inches]



**Flow rate chart**

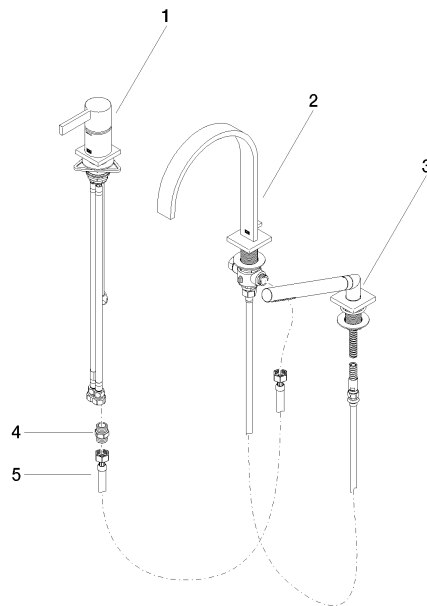


**Certificates**

Belgaqua\_19\_80\_27. IAPMO\_4976 (2). LGA\_29730.

Belgaqua\_24-008-27\_4.

27 412 782



**Spare parts list**

No.	Item Number	Name	Quantity used	Delivery time
1	29 300 670-00	Single-lever bath mixer for bath rim or tile edge installation - Chrome	1	10
2	13 512 782-00	spout	1	60
3	27 702 980-00	Hand shower set for bath rim or tile edge installation - Chrome	1	10
4	90 24 03 168 00 90	nipple	1	2
5	12 502 970 90	High pressure hose 1/2" x 1/2" x 400 mm -	1	2